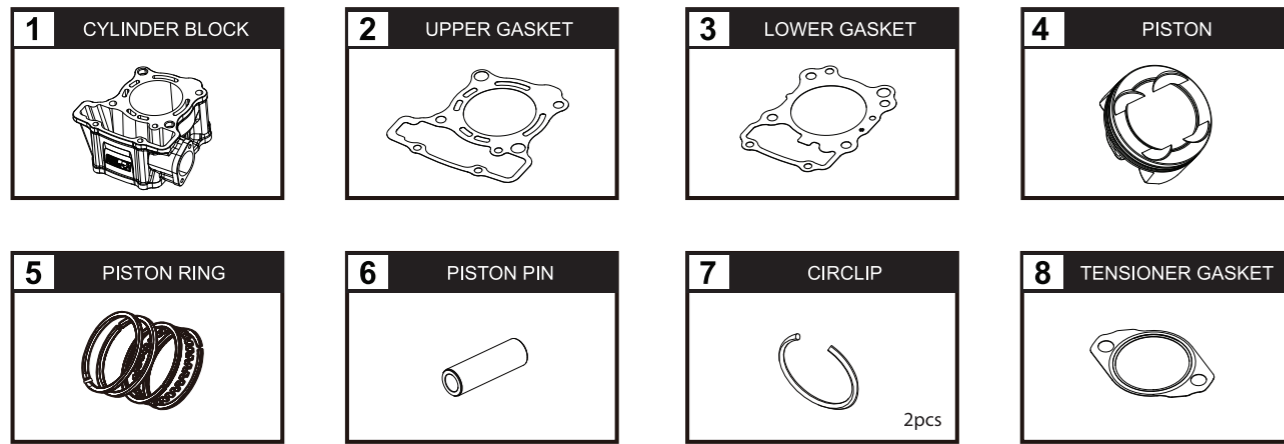


Thank you for purchasing this product. Please read the instruction carefully for details.

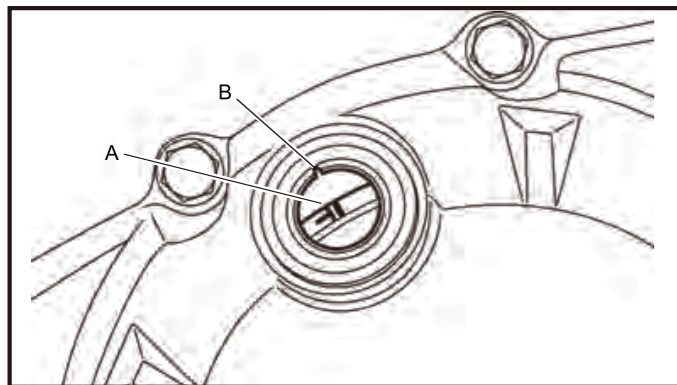
## ATTENTION

1. Upon installation make sure the environment is clean as it may affect its precision.
2. We shall not be held liable and shall not accept any liability, obligation or responsibility whatsoever for any damage on the item during assembly and disassembly.

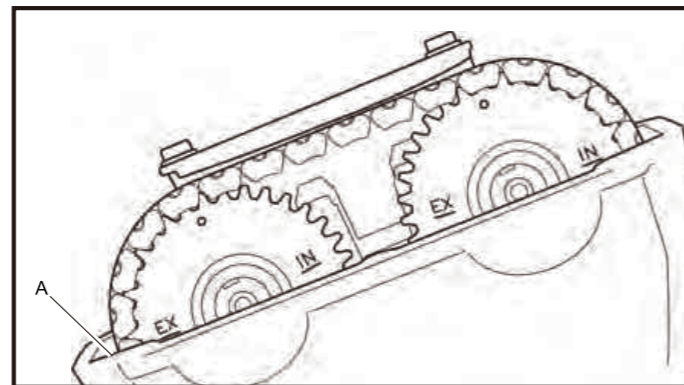
## 1 PARTS INCLUDED



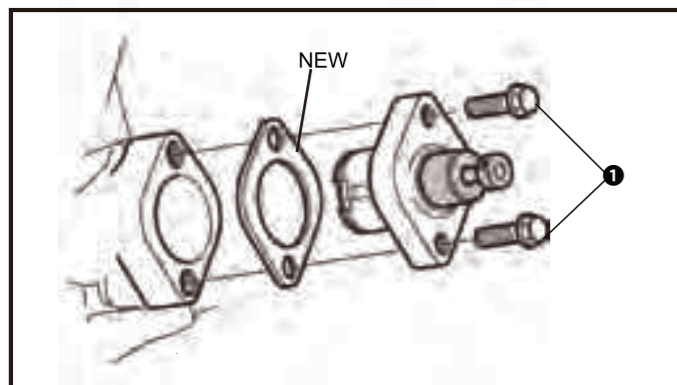
## 2 DISASSEMBLING TIMING CHAIN



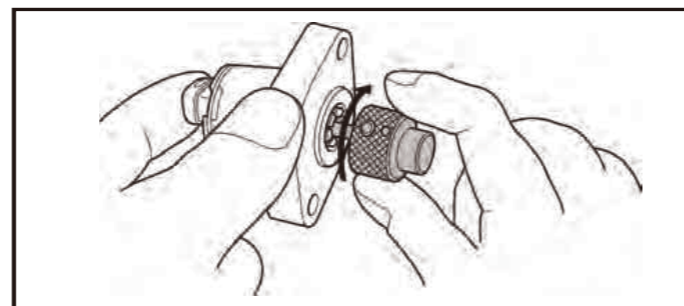
1. Make sure the mark on the flywheel is aligned with "B" on the engine body.



2. Timing Gear's EX marks and IN marks needs to be parallel with "A"



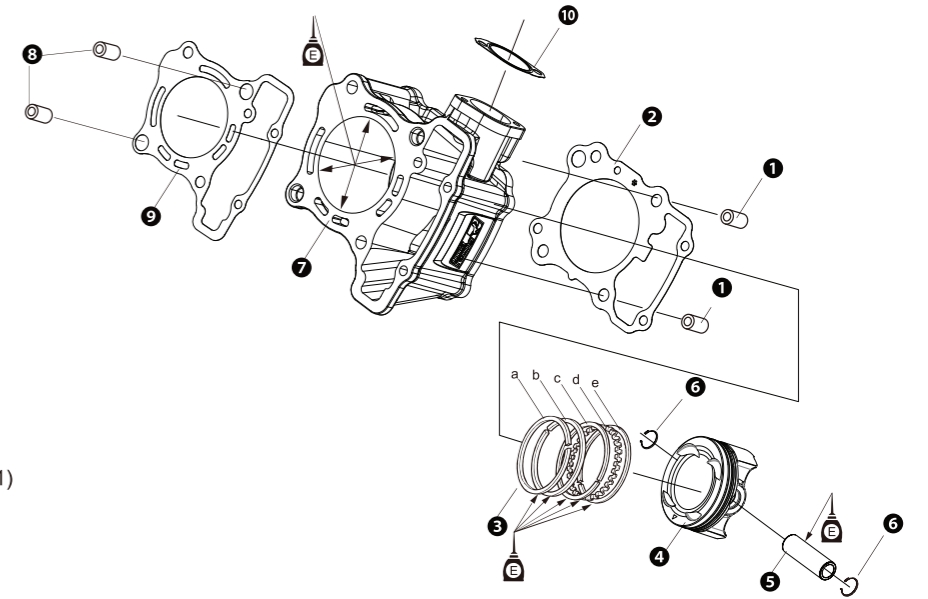
3. Take cam chain tensioner out by unscrewing two screws ①.



• Install cam chain tensioner.

**NOTE** Use flat head screw driver lock the back side of the cam chain tensioner. Screw the tensioner clockwise to fix the spring inside.

## 3 INSTALLATION GUIDE



Please proceed as follows

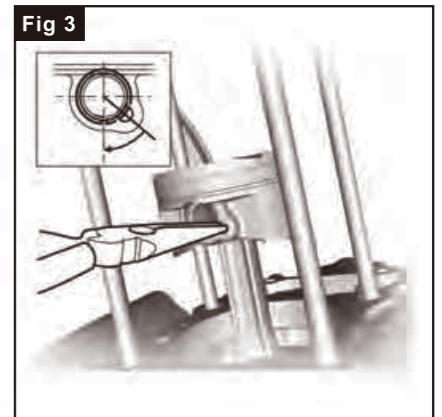
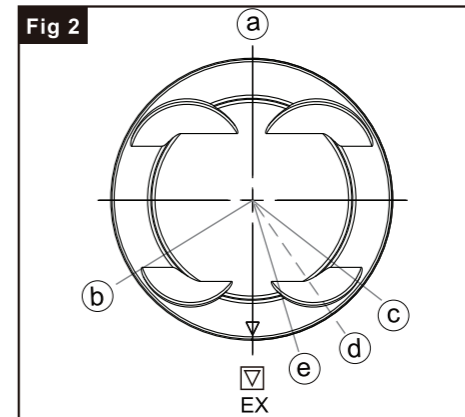
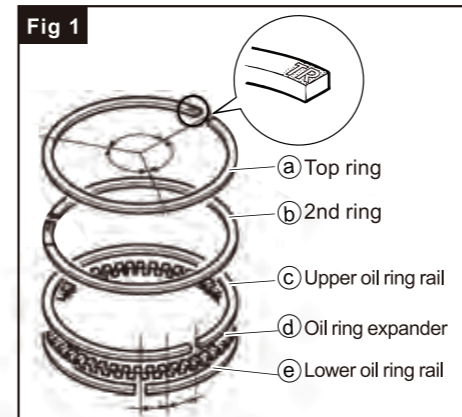
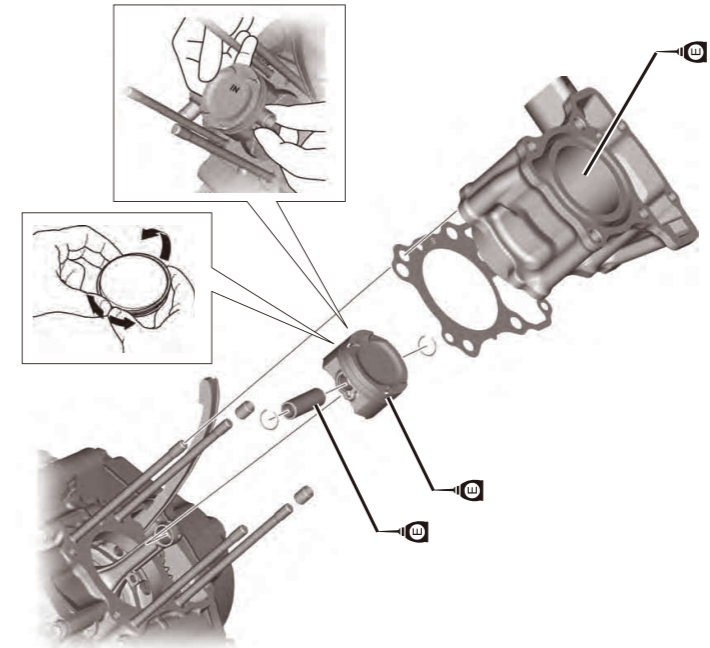
- 1 Original Dowel Pin
- 2 Cylinder Lower Gasket (Accessory 3)
- 3 Piston Ring (Accessory 5)
- 4 Piston (Accessory 4)
- 5 Piston Pin (Accessory 6)
- 6 Clip (Accessory 7)
- 7 Ceramic Coated Cylinder Block (Accessory 1)
- 8 Original Dowel Pin
- 9 Cylinder Upper Gasket (Accessory 2)
- 10 Tensioner Gasket (Accessory 8)

⚠ Remove the entire top end of the engine in order to facilitate the replacement of the cylinder.

⚠ Before installing the cylinder block, apply lubricant oil on the cylinder sleeve to avoid scratching or damaging the cylinder or piston.

**NOTE** Disassemble the engine according to the steps above. The installation of the cylinder block and piston should be performed in reverse sequence.

**NOTE** ☞ Engine oil.



⚠ The mark on the ring must be faced up when install (As Fig 1 shows). Also the ring open side must be facing the position as Fig 2 shows.

**NOTE** The mark on the top of piston must be aligned with exhaust port when install.

**NOTE** Be careful not to lose C clip when install.

